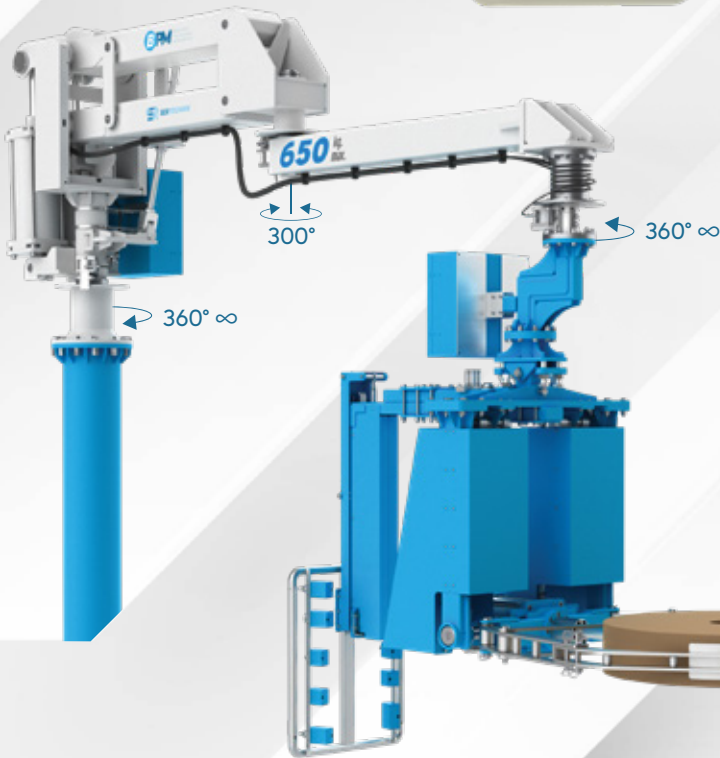
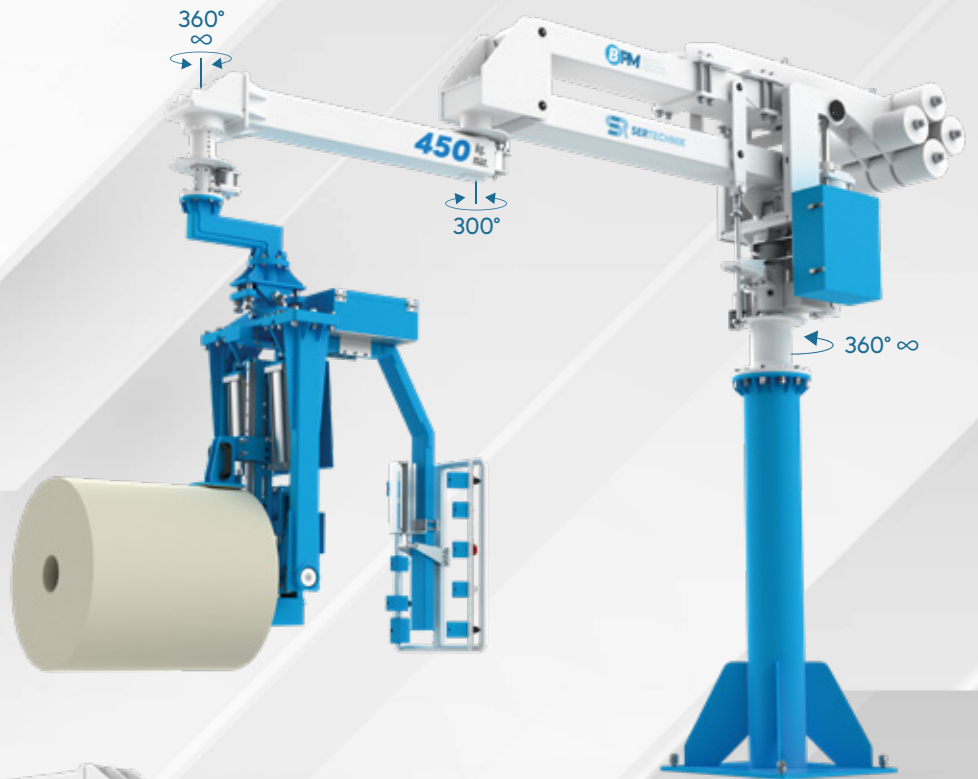
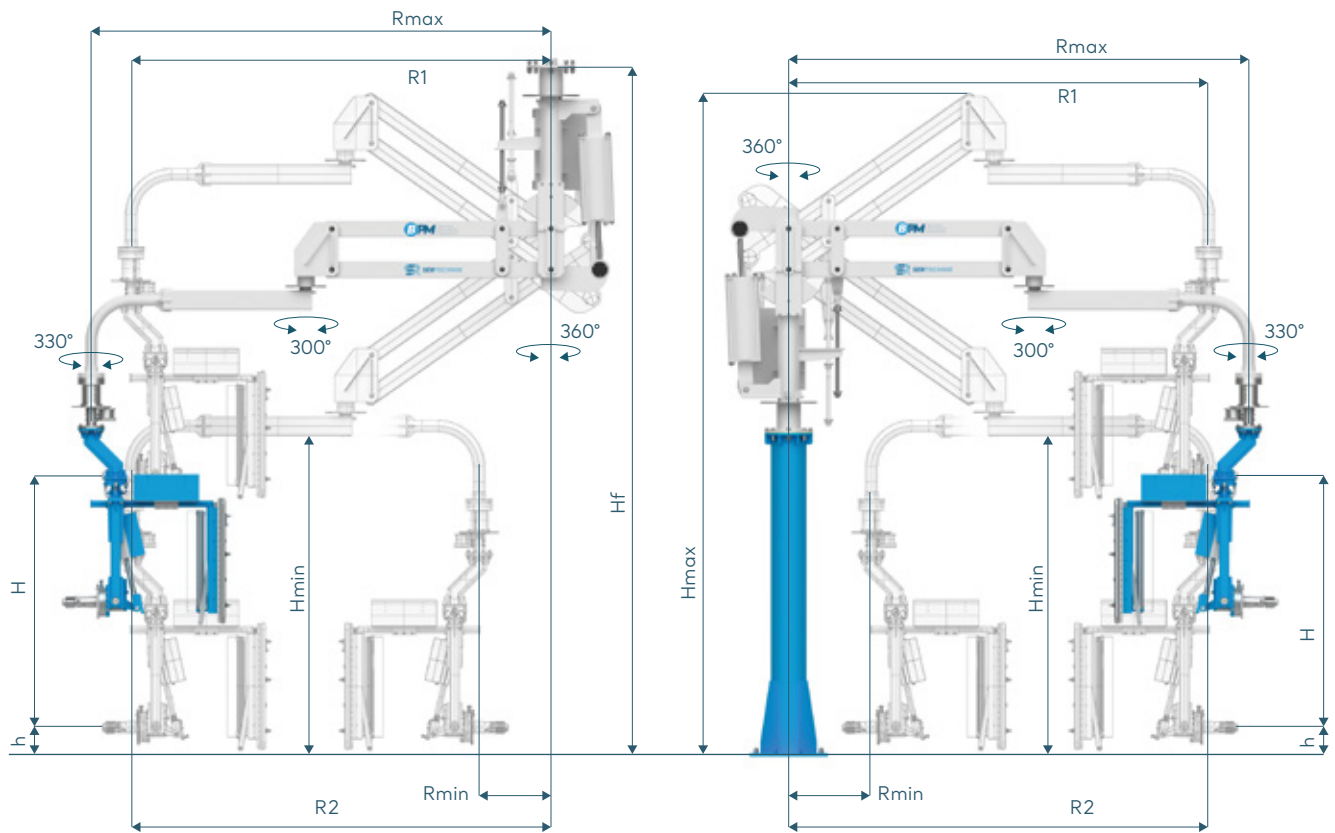


Reelful & Reelful Plus

Rigid arm manipulators with a reel gripper



Technical Details



Reelful

Maximum Load Capacity [kg]

		250	250	100	100
Max. Working Radius [mm]	Rmax	3000	4000	3000	4000
Min. Working Radius [mm]	Rmin	920	1160	920	1160
Vertical Stroke [mm]	H	2000	2000	2450	2450
Min. Pick-up Height [mm]	*h	200	200	200	200
Max. Manipulator Height [mm]	*Hmax	4225	4225	4610	4610
Max. Ceiling Mounting Height [mm]	*Hf	4800	4800	5000	5000
Lower Edge of Main Body [mm]	*Hmin	2000	2000	2000	2000
Working Radius at Top Position [mm]	R1	2610	3465	2610	3465
Working Radius at Bottom Position [mm]	R2	2610	3465	2610	3465

* Dimensions may vary depending on customer-specific requirements.

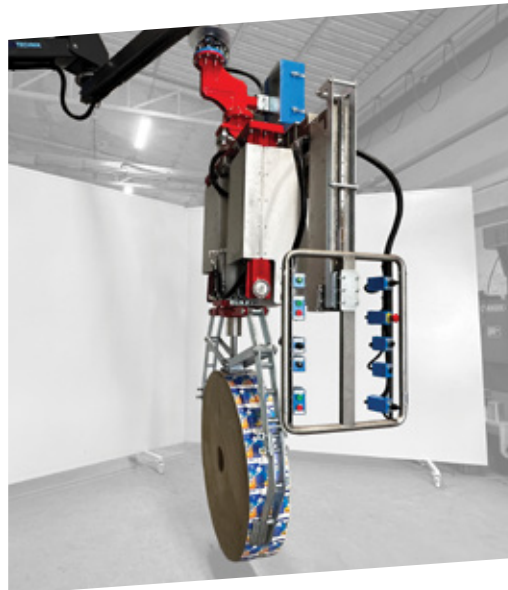
Reelful Plus

Maximum Load Capacity [kg]

		650	650	450	450
Max. Working Radius [mm]	Rmax	2500	3000	2500	3000
Min. Working Radius [mm]	Rmin	755	1000	755	1000
Vertical Stroke [mm]	H	1600	1900	1600	1900
Min. Pick-up Height [mm]	*h	200	200	200	200
Max. Manipulator Height [mm]	*Hmax	4215	4370	4215	4370
Max. Ceiling Mounting Height [mm]	*Hf	4200	4900	4200	4900
Lower Edge of Main Body [mm]	*Hmin	2000	2000	2000	2000
Working Radius at Top Position [mm]	R1	2195	2635	2195	2635
Working Radius at Bottom Position [mm]	R2	2195	2635	2195	2635

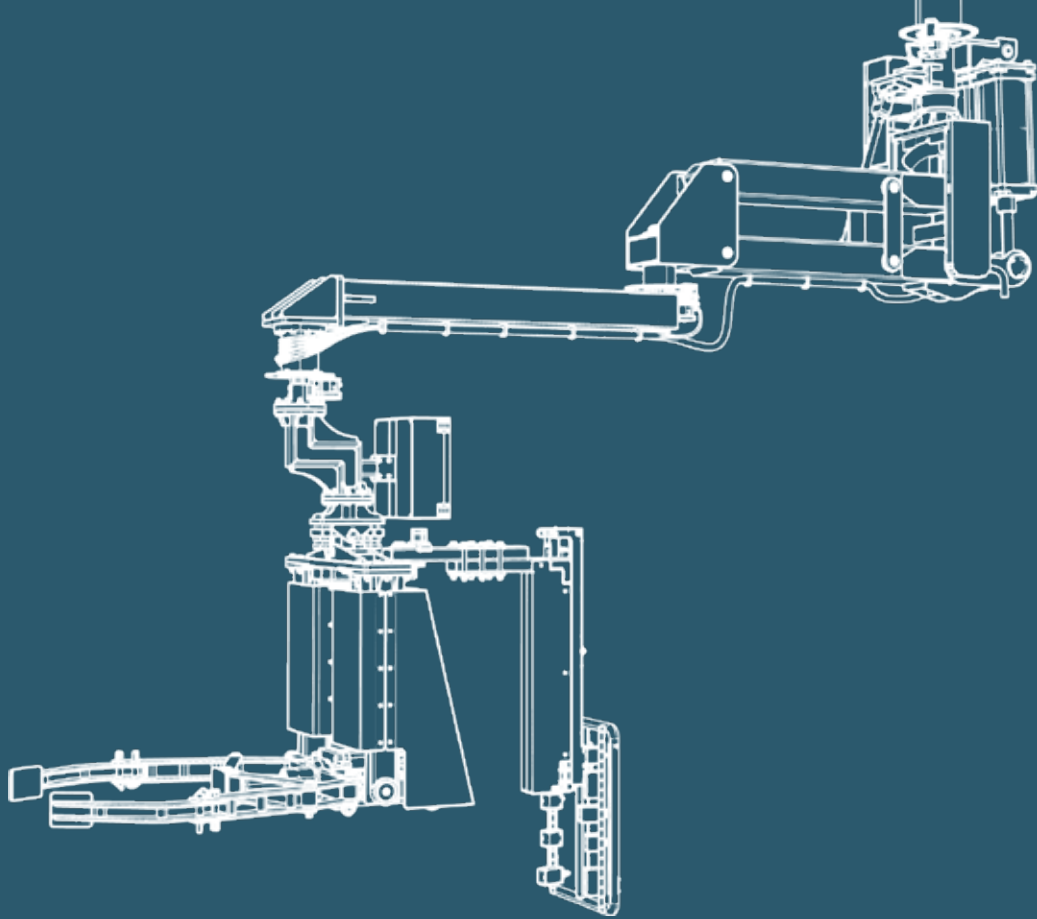
* Dimensions may vary depending on customer-specific requirements.

Tailor-made solutions



Visit our YouTube channel to see all our applications.





BPM *Bayerische Pneumatische Manipulatoren*

Sertechnik-GmbH

Adam-Stegerwald-Straße 11
97447 Gerolzhofen
+49 9382 204 98 59
info@bpm-de.com

www.bpm-de.com



BPM Industrial Manipulators is a brand of Sertechnik GmbH



Visit our YouTube channel
to see all our applications.

