

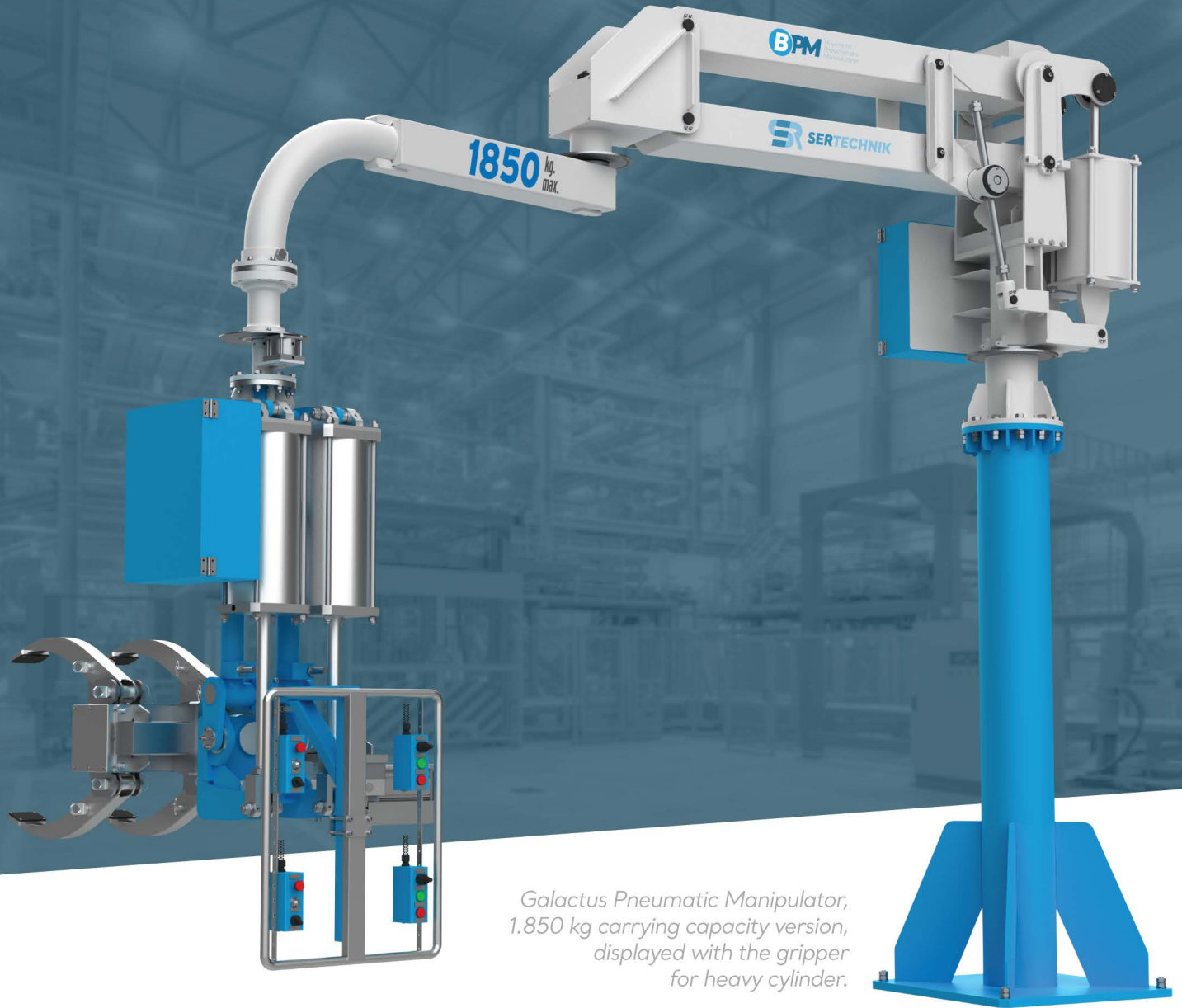


## **BPM Galactus**

Pneumatic Manipulator with Rigid Arms

# BPM Galactus

Pneumatic Manipulators with Rigid Arms



*Galactus Pneumatic Manipulator,  
1.850 kg carrying capacity version,  
displayed with the gripper  
for heavy cylinder.*

Galactus Pneumatic Manipulators are designed to move operator-centered loads within the work area with minimum effort. It balances the weight of the load, allowing the operator to carry the load quickly and safely.

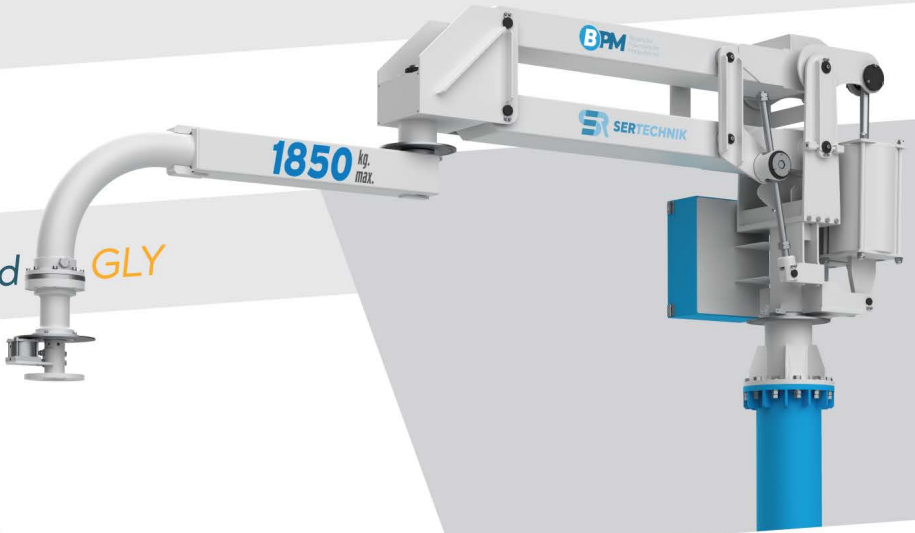
Manipulators, either floor mounted or ceiling mounted. Galactus is equipped with special gripping tools which are particularly suitable to manually handle center offset loads in any direction, in a weightless condition. The manipulator, which consists of two arms, has a total of two brakes on the arm rotation axis. It's versatile structure allows it to fit in any working environment.

Works with dry, filtrated (40  $\mu\text{m}$ ) and oil free compressed air (min. 0.7/0.8 MPa).

**1.850 kg** max. weight capacity. **5.000 mm** max. radius. **3.000 mm** vertical lift.  
**995 nl/min** max. air consumption.

# Mounting Options

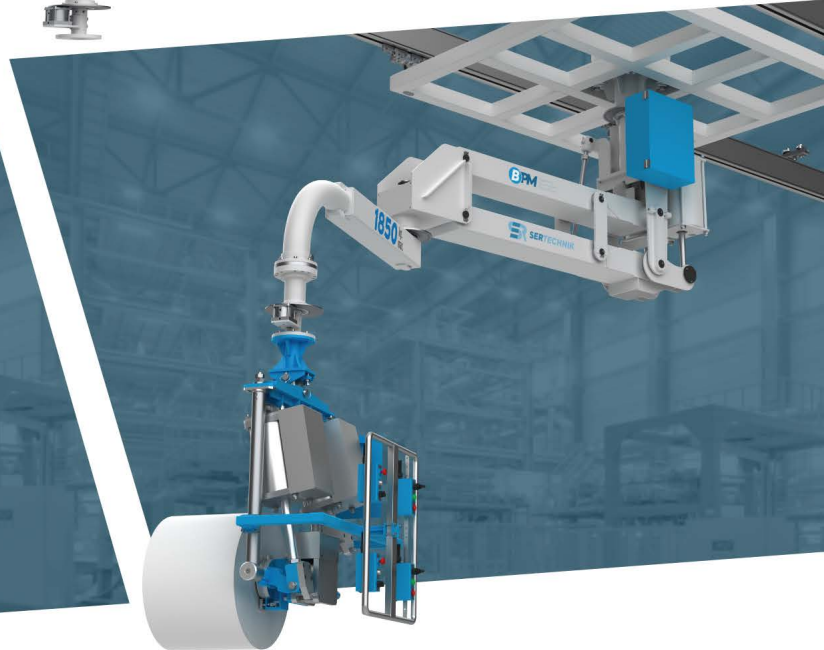
**Galactus** Column Mounted **GLY**



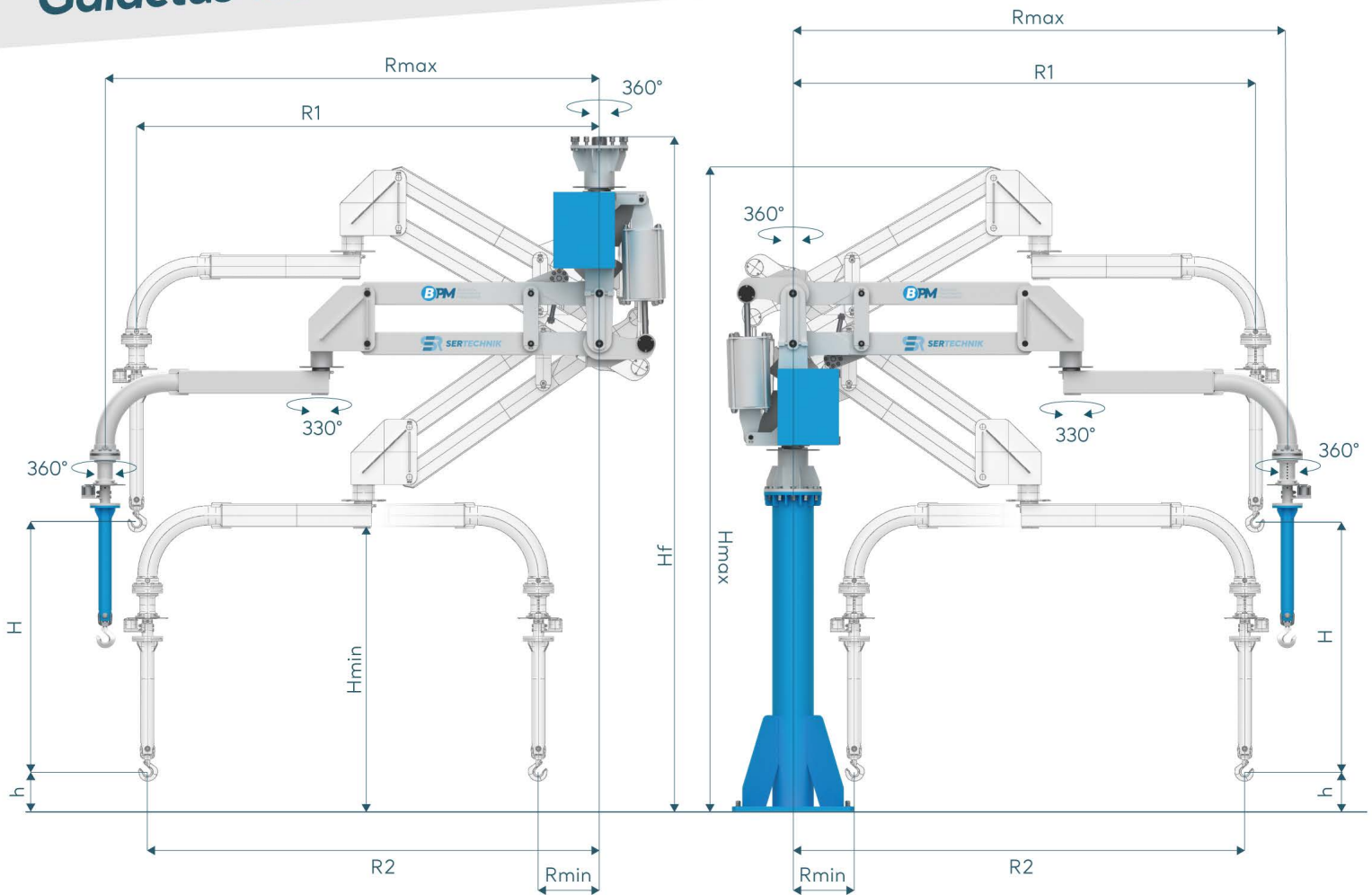
**Galactus** Overhead Mounted **GLT**



**Galactus** Overhead Trolley Mounted **GLTA**



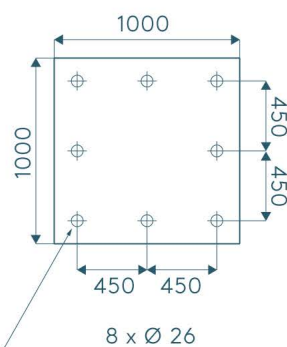
## Galactus Technical Details



### Weight Capacity / kg

		1850	1600	1300	1100	950	780
Max. Radius / mm	Rmax	2500	3000	3500	4000	4500	5000
Min. Radius / mm	Rmin	800	920	1034	1139	1250	1342
Vertical Lift / mm	H	1500	1830	2150	2450	2750	3000
Min. Vertical Lift / mm	*h	200	200	200	200	200	200
Max. Height / mm	*Hmax	4405	4734	5052	5350	5652	5902
Max. Ceiling Height / mm	*Hf	4822	4980	5132	5275	5420	5540
Min. Height / mm	*Hmin	2000	2000	2000	2000	2000	2000
Radius 1	R1	2259	2707	3156	3608	4060	4520
Radius 2	R2	2207	2643	3081	3523	3964	4415

\* Marked dimensions can change according to the customer request.



Mounting Plate Dimensions (mm)